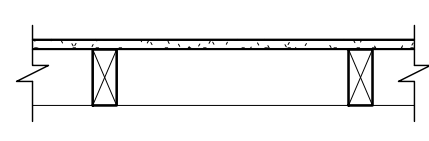
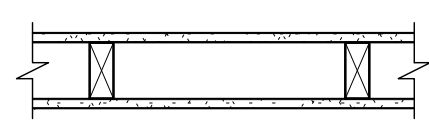
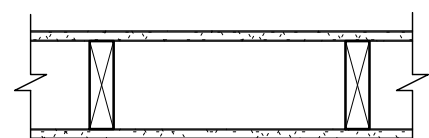
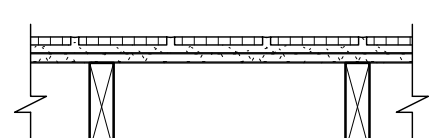
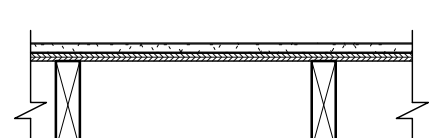
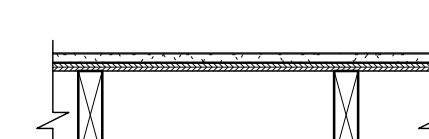
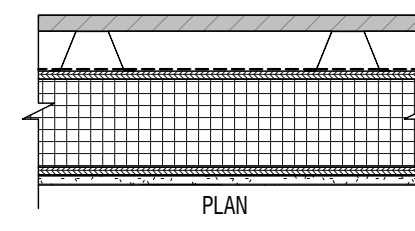
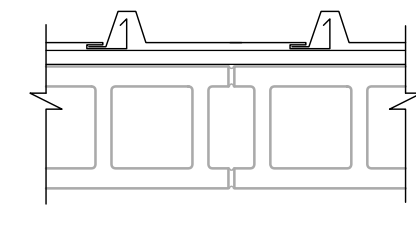
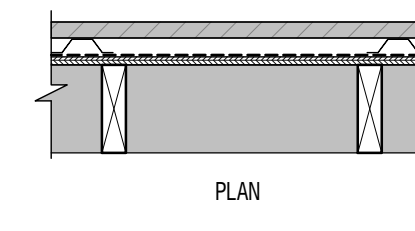
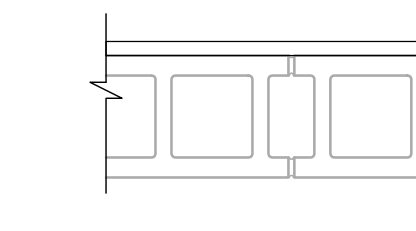
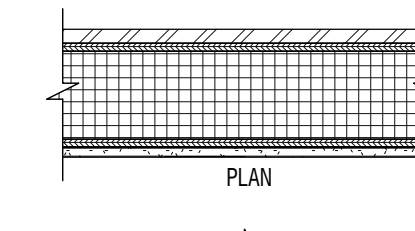
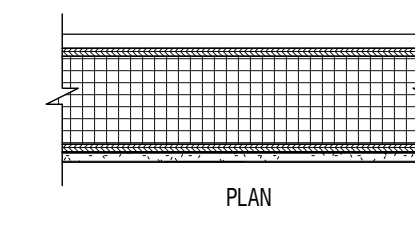
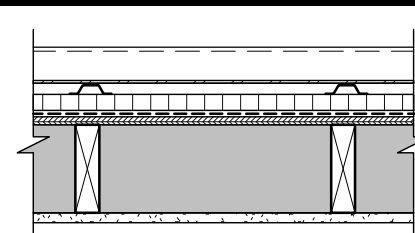


INTERIOR WALL TYPES

W4B	W4A	W6A	W6C	W6D	W6H
<p>DESCRIPTION N/A</p> <p>ASSEMBLY</p>  <p>5/8" TYPE 'X' GYPSUM BOARD 2x4 WOOD STUD @ 16" O.C.</p> <p>FIRE RATING N/A</p> <p>TESTING SOURCE N/A</p> <p>STC RATING N/A</p> <p>TESTING SOURCE N/A</p>	<p>DESCRIPTION N/A</p> <p>ASSEMBLY</p>  <p>5/8" TYPE 'X' GYPSUM BOARD 2 x 4 WOOD STUD FRAMING @ 16" O.C. 5/8" TYPE 'X' GYPSUM BOARD</p> <p>FIRE RATING N/A</p> <p>TESTING SOURCE N/A</p> <p>STC RATING N/A</p> <p>TESTING SOURCE N/A</p>	<p>DESCRIPTION N/A</p> <p>ASSEMBLY</p>  <p>5/8" TYPE 'X' GYPSUM BOARD 2 x 6 WOOD STUD FRAMING @ 16" O.C. 5/8" TYPE 'X' GYPSUM BOARD</p> <p>FIRE RATING N/A</p> <p>TESTING SOURCE N/A</p> <p>STC RATING N/A</p> <p>TESTING SOURCE N/A</p>	<p>DESCRIPTION N/A</p> <p>ASSEMBLY</p>  <p>TILE OVER LAYTEX-PORTLAND CEMENT MORTAR OR ORGANIC ADHESIVE BOARD WHERE OCCURS 5/8" BACKER BOARD, 5/8" TYPE 'X' GYPSUM BOARD 2 x 6 WOOD STUD FRAMING @ 16" O.C.</p> <p>FIRE RATING N/A</p> <p>TESTING SOURCE N/A</p> <p>STC RATING N/A</p> <p>TESTING SOURCE N/A</p>	<p>DESCRIPTION N/A</p> <p>ASSEMBLY</p>  <p>5/8" TYPE 'X' GYPSUM BOARD 1/2" PLYWOOD SHEATHING 2 x 6 WOOD STUD FRAMING @ 16" O.C. 5/8" TYPE 'X' GYPSUM BOARD</p> <p>FIRE RATING N/A</p> <p>TESTING SOURCE N/A</p> <p>STC RATING N/A</p> <p>TESTING SOURCE N/A</p>	<p>DESCRIPTION N/A</p> <p>ASSEMBLY</p>  <p>5/8" TYPE 'X' GYPSUM BOARD 1/2" PLYWOOD SHEATHING 2 x 6 WOOD STUD FRAMING @ 16" O.C. 5/8" TYPE 'X' GYPSUM BOARD</p> <p>FIRE RATING N/A</p> <p>TESTING SOURCE N/A</p> <p>STC RATING N/A</p> <p>TESTING SOURCE N/A</p>

EXTERIOR WALL TYPES

EP6-WP	EM-MP1	EW6-WP	EM-MP2	EP6-MP1	EP6-MP2	EW6-MP2
<p>DESCRIPTION N/A</p> <p>ASSEMBLY</p>  <p>1" COMPOSITE CLADDING 2 1/2" VERTICAL HAT CHANNEL 24" O.C. RAINSREEN DRAINAGE MAT 6 1/2" SIPS PANEL 5/8" TYPE 'X' GYPSUM BOARD</p> <p>FIRE RATING N/A</p> <p>TESTING SOURCE N/A</p> <p>STC RATING N/A</p> <p>TESTING SOURCE N/A</p>	<p>DESCRIPTION N/A</p> <p>ASSEMBLY</p>  <p>3/4" METAL PANEL 7/8" VERTICAL HAT CHANNEL, 24" O.C. EXISTING CMU WALL</p> <p>FIRE RATING N/A</p> <p>TESTING SOURCE N/A</p> <p>STC RATING N/A</p> <p>TESTING SOURCE N/A</p>	<p>DESCRIPTION N/A</p> <p>ASSEMBLY</p>  <p>1" COMPOSITE CLADDING 7/8" VERTICAL HAT CHANNEL 24" O.C. RAINSREEN DRAINAGE MAT 1/2" PLYWOOD SHEATHING 5 1/2" WOOD STUD FRAMING</p> <p>FIRE RATING N/A</p> <p>TESTING SOURCE N/A</p> <p>STC RATING N/A</p> <p>TESTING SOURCE N/A</p>	<p>DESCRIPTION N/A</p> <p>ASSEMBLY</p>  <p>1 1/4" METAL PANEL 7/8" VERTICAL HAT CHANNEL, 24" O.C. EXISTING CMU WALL</p> <p>FIRE RATING N/A</p> <p>TESTING SOURCE N/A</p> <p>STC RATING N/A</p> <p>TESTING SOURCE N/A</p>	<p>DESCRIPTION N/A</p> <p>ASSEMBLY</p>  <p>3/4" METAL PANEL 6 1/2" SIPS PANEL 5/8" TYPE 'X' GYPSUM BOARD</p> <p>FIRE RATING N/A</p> <p>TESTING SOURCE N/A</p> <p>STC RATING N/A</p> <p>TESTING SOURCE N/A</p>	<p>DESCRIPTION N/A</p> <p>ASSEMBLY</p>  <p>1 1/4" METAL PANEL PBR 2 1/2" VERTICAL STEEL HAT CHANNEL 24" O.C. 6 1/2" SIPS PANEL 5/8" G.B.</p> <p>FIRE RATING N/A</p> <p>TESTING SOURCE N/A</p> <p>STC RATING N/A</p> <p>TESTING SOURCE N/A</p>	<p>DESCRIPTION N/A</p> <p>ASSEMBLY</p>  <p>1 1/4" METAL PANEL SYSTEM 7/8" HAT CHANNEL 24" O.C. 1" RIGID INSULATION WEATHER RESISTANT BARRIER 5 1/2" WOOD STUD LAYER 5/8" GYP BOARD</p> <p>FIRE RATING N/A</p> <p>TESTING SOURCE N/A</p> <p>STC RATING N/A</p> <p>TESTING SOURCE N/A</p>

5/2/2022 3:18:13 PM C:\Users\jshelton\Documents\LCSD Proj-School\Addition_095_2021_02_10\ep6m1m2m3.mxd

MARK: AD3	DESCRIPTION: Addition 3
DATE: 5.2.2022	

PROJECT #: 121342
DRAWN BY: FRANKS
CHECKED BY: RIGBY
ISSUED: 04.15.2022



CONSTRUCTION DOCUMENTS