



A Gorman-Rupp Company

SUBMITTAL

NLA-SERIES

HYDRONIC EXPANSION TANKS

Models: NLA- 35 thru NLA-800L

Submittal Sheet No. A-1010A

Date: 2/12

Job Name _____	Submitted By _____	Date _____
Location _____	Approved By _____	Date _____
_____	Order No. _____	Date _____
Engineer _____	Notes _____	
Contractor _____	_____	
Sales Rep. _____	_____	

Description

Patterson NLA Tanks are ASME removable bladder type pre-charged expansion tanks. They are designed to absorb the expansion forces and control the pressure in heating/cooling systems. The system's expanded water (fully compatible with water/glycol mixtures) is contained in a full acceptance heavy-duty butyl bladder that prevents tank corrosion and waterlogging problems. All NLA expansion tanks can be installed vertically or horizontally.

Construction

Shell: Carbon Steel
Bladder: Heavy Duty Butyl
System Connection: Carbon Steel

Performance Limitations

Maximum Design Temperature: 240°F
Maximum Design Pressure: 125 PSIG*

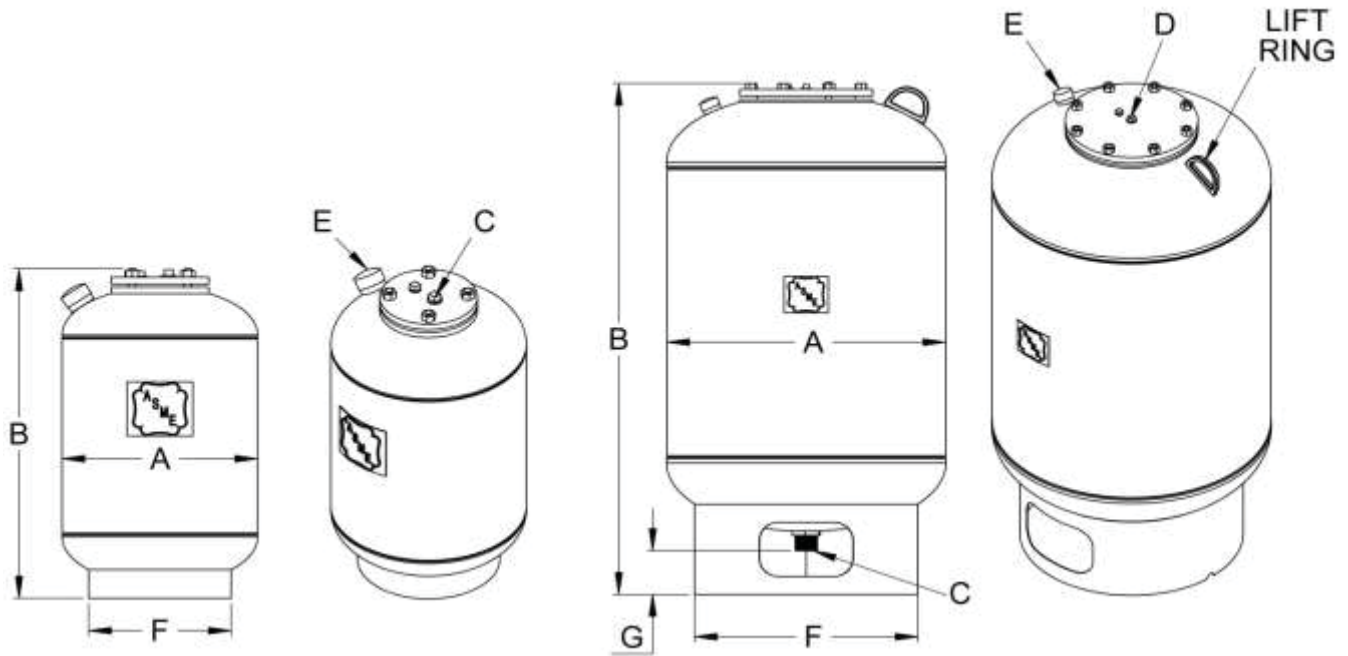
*200 & 250 PSIG available

Model Number	Part Number	Tank Volume (Gallons)	Tagging Information	Quantity
NLA-35	22010035	10		
NLA-50	22010050	13		
NLA-85	22010085	23		
NLA-130	22010130	35		
NLA-200	22010200	53		
NLA-300	22010300	79		
NLA-400	22010400	106		
NLA-500	22010500	132		
NLA-600	22010500	158		
NLA-800L	22010805	211		

Typical Specification

Furnish and install, as shown on plans, a _____ gallon _____" diameter X _____" (high) pre-charged steel expansion tank with heavy-duty butyl bladder. The tank shall have NPT system connections and a 0.302"-32 charging valve connection (standard tire valve) to facilitate the on-site charging of the tank to meet system requirements. The tank must be constructed in accordance with most recent addendum of Section VIII Division 1 of the ASME Boiler and Pressure Vessel Code.

Each tank shall be Patterson model number NLA-_____ or approved equal.



NLA-35 and NLA-50

NLA-85 thru NLA-800L

Dimensions & Weights

Model Number	Dimensions in Inches							Approx. Ship Wt. (lbs)
	A	B	System Connection		Charging Valve	F	G	
			C	D	E			
NLA-35	12	23 1/2	3/4	-	0.302" - 32NC	10	-	40
NLA-50	14	24		-		10	-	50
NLA-85	16	37	1	1/2		12	5 1/2	90
NLA-130	20					16		125
NLA-200	24	43	3/4			20	5 1/4	210
NLA-300		55		225				
NLA-400	30	49	1 1/2	24		5 1/4		300
NLA-500		57						335
NLA-600		65						360
NLA-800L		76						475

Notes

- Tanks are factory pre-charged at 12 psi and field adjustable.
- California code-sight glass is available upon request.
- Both top and bottom connections (C and D) access the bladder.
- Available with mounting clips.